



One Application for Five Position Button Ski Rack® with DIY Button Ski Hangers

Safety Notes

- Skis falling from the Button Ski Racks can cause injury or damage.
- Ensure that ski binding is properly engaged to the Hanger with the lip of the toe piece positioned over the back edge of the Hanger.
- As with all storage systems, this rack should be installed in low traffic areas of the home where items on it cannot be bumped or jarred.
- Children should not play around the ski rack and must be assisted when using the rack.

Provided



1" Pan Hd Screws



Washers



DIY Hangers

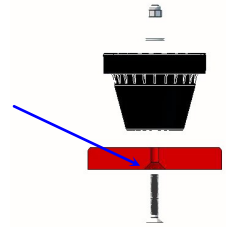
You Will Need

- Drill
- 3/16" drill bits
- Phillips screwdriver
- Tape measure
- Stud Finder
- 1" X 4" X 27" board
- Level

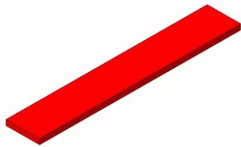
Notes:

- DIY Hangers come with hardware that will allow you to build your own Totti Button Ski Rack® using a 3/4" or thicker backboard.
- Fence or deck rails also make excellent support for DIY Hangers. The included hardware should be used for these applications as well.
- Old snowboards and skis make excellent backboards. Included hardware will not work for this application. Flat head 1/4" screws, washers and lock-nuts should be used. 1/4" holes should be drilled at Hanger locations. These holes should be counter sunk from the back side

Counter sunk hole with 1/4" flat head screws, washer and locking nut



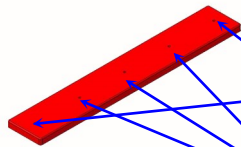
1



Instructions

1 Cut 1" X 4" board 27" long. This will be the backboard.

2

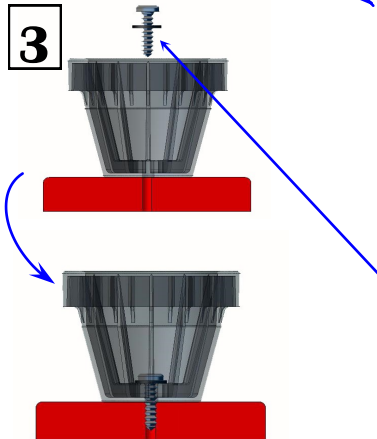


2 Drill 5 holes, 3/16" in diameter down the center of the backboard.

The holes near the edges should be 1.5" from the edge.

The remaining three holes should be 6" apart.

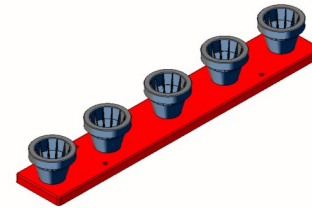
3



3 Note: This step can be delayed until after the backboard is screwed to the wall (Step 4)

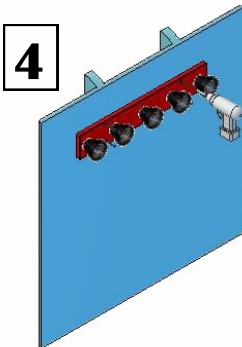
Run 1" pan head screws through washers and through DIY Hangers. Drive the screws into the holes drilled in the backboard.

4



Completed Totti Button Ski Rack® with DIY Button Ski Hangers

5



4 Mount rack 42", minimum, above the floor. Locate studs in the wall. Transfer the stud location to the backboard and predrill 3/16" holes in the backboard at the stud locations (two holes per stud).

Level rack on the wall

Use grabber screws to mount the rack to the wall. The rack should be attached to two wall studs with two grabber screws per stud.

5 Hang skis on the Hangers by the binder toe piece. Skis hang together with the ski brakes engaged. Sometimes a strap is needed to keep the skis together.